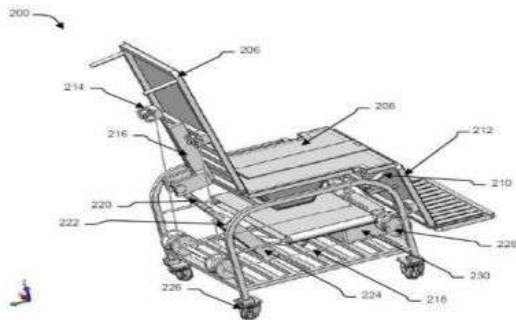


(54) Title of the invention : WHEELCHAIR APPARATUS WITH PATIENT COMMODE PAN

(51) International classification	:B64D0011060000, A61H0001020000, A61G0007100000, B60N0002900000, A61G0005100000	(71) Name of Applicant : 1)Chitkara Innovation Incubator Foundation Address of Applicant :SCO: 160-161, Sector -9c, Madhya Marg, Chandigarh- 160009, India. Chandigarh India
(31) Priority Document No	:NA	(72) Name of Inventor :
(32) Priority Date	:NA	1)PANDA, S.N.
(33) Name of priority country	:NA	2)AHUJA, Sachin
(86) International Application No	:NA	3)KAUSHAL, Rajesh
Filing Date	:NA	4)KUMAR, Naveen
(87) International Publication No	: NA	5)SINGH, Simranjeet
(61) Patent of Addition to Application Number	:NA	6)BADOTRA, Sumit
Filing Date	:NA	7)RAHEJA, Jagdish Lal
(62) Divisional to Application Number	:NA	8)BATH, K S
Filing Date	:NA	

(57) Abstract :

The present disclosure provides a wheelchair apparatus with patient commode pan comprises a hip rest fitted on the support frame structure, the lower end of the back rest is pivotally coupled to the hip rest to move between an inclined position, and a lowered position, in which the back rest is arranged parallel to hip rest. A linear actuator is configured with the back rest to move the back rest between the inclined position and the lowered position. The leg rest is pivotally coupled to the second end of the hip rest to move between a first position, and a second position, in which the leg rest is arranged parallel to the hip rest. A commode pan is detachably coupled to a lower side of the hip rest, the leg rest is coupled to the back rest through a motion transfer such that movement of the back rest from the inclined position to the lowered position enables movement of the leg rest converts the wheelchair apparatus into a stretcher.



No. of Pages : 20 No. of Claims : 10